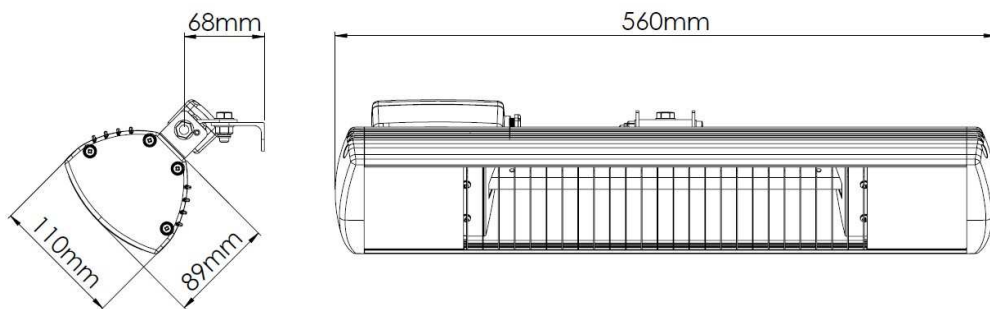



RIO GRANDE



Dimensions:



Specification:

| | | |
|-------------------------------------|--|---------|
| Model Type | RIO 315 | RIO 320 |
| Voltage (Volts) | 230 | |
| Power (Watts) | 1500 | 2000 |
| Current (Amps) | 6.5 | 8.7 |
| Min. mounting height from floor (m) | 2.0 | |
| Min. distance from ceiling (m) | 0.3 | |
| Min. dist. from side wall (m) | 1.0 | |
| Dimensions - W x H x D (mm) | 560 x 110 x 89 | |
| Weight (kg) | 2.8 | |
| Ingress Protection | IP24  | |
| Mounting: | Horizontal on wall or angled on a suitable structure | |
| Connection: | 5.0m of cord with a moulded UK or a EU Schuko plug | |
| Package Contents: | Heater with L-shaped wall mounting bracket and an instruction manual | |

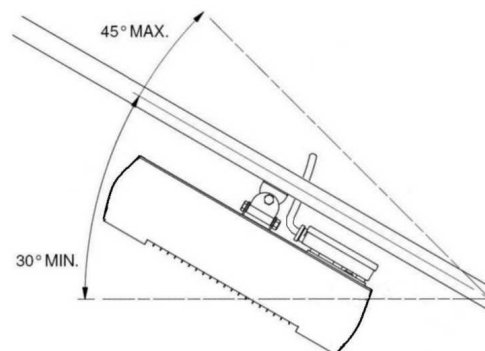
Bracket Type:

Supplied as standard with a central swivel bracket and a L-shaped wall bracket.



Angled Mounting:

The Rio Grande is suitable for mounting in an angular manner so is ideal for umbrella/parasol use.

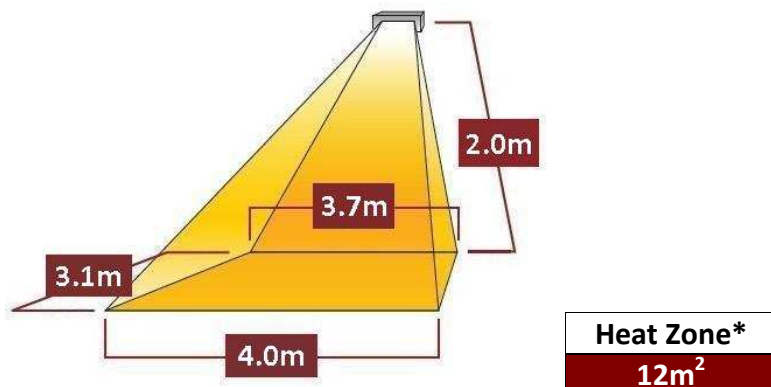


Gold Reflectors:

The Sorrento can be supplied with glare reducing gold reflectors (at an additional cost).



Heat Coverage Pattern:



RIO GRANDE PART CODES:

| Colour | Part No. |
|---------|--------------------------|
| Black | RIO 3xx yy BLK |
| Silver | RIO 3xx yy SLV |
| White | RIO 3xx yy WHT |
| xx = 15 | 1500W |
| xx = 20 | 2000W |
| yy = UK | Cord with UK Plug |
| yy = EU | Cord with EU Schuko Plug |

*Heat zone will vary based on mounting height and angle of heater. This is a footprint of the total area covered but should be assumed that the surface temperature rise will decrease the further away from the source that is measured. Please use this as a guideline only and contact Tansun for a more detailed guide.