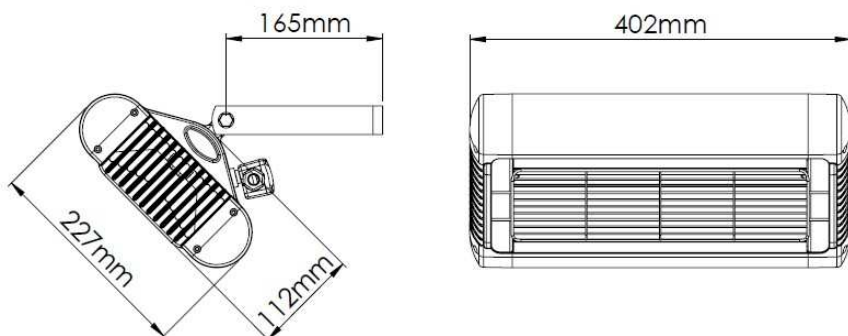



SORRENTO SINGLE



Dimensions:



Specification:

Model Type	SOR 215IP	SOR 220IP
Voltage (Volts)	230	
Power (Watts)	1500	2000
Current (Amps)	6.5	8.7
Min. mounting height from floor (m)	2.0	2.5
Min. distance from ceiling (m)	0.3	
Min. dist. from side wall (m)	1.0	
Dimensions - W x H x D (mm)	402 x 227 x 323	
Weight (kg)	3.4	
Ingress Protection	IP24 	
Mounting:	Wall or ceiling hung	
Connection:	5.0m of cord with a moulded UK or a EU Schuko plug	
Package Contents:	Heater with 2 x L-shaped wall mounting brackets and an instruction manual	

Bracket Type:

Supplied as standard with 2 x L-shaped wall brackets or can be specified with a central swivel bracket (at an additional cost).

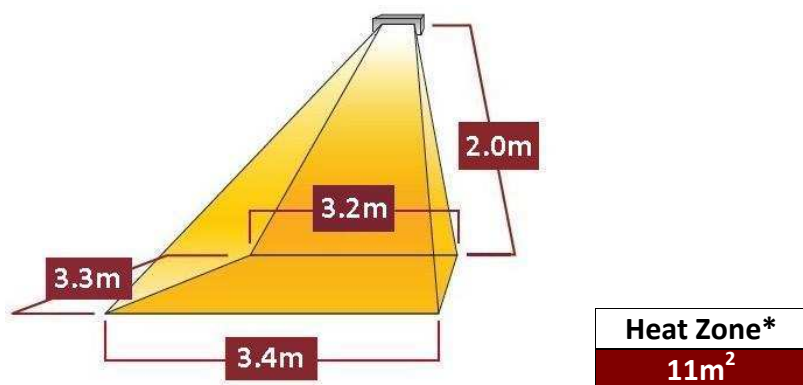


Gold Reflectors:

The Sorrento can be supplied with glare reducing gold reflectors (at an additional cost).



Heat Coverage Pattern:



SORRENTO SINGLE PART CODES:

Colour	Part No.
Black	SOR 2xxIP yy BLK
Silver	SOR 2xxIP yy SLV
White	SOR 2xxIP yy WHT

xx = **15** 1500W
xx = **20** 2000W

yy = **UK** Cord with UK Plug
yy = **EU** Cord with EU Schuko Plug

*Heat zone will vary based on mounting height and angle of heater (overhead mounted heat zones will be different then this guide). This is a footprint of the total area covered but should be assumed that the surface temperature rise will decrease the further away from the source that is measured. Please use this as a guideline only and contact Tansun for a more detailed guide.