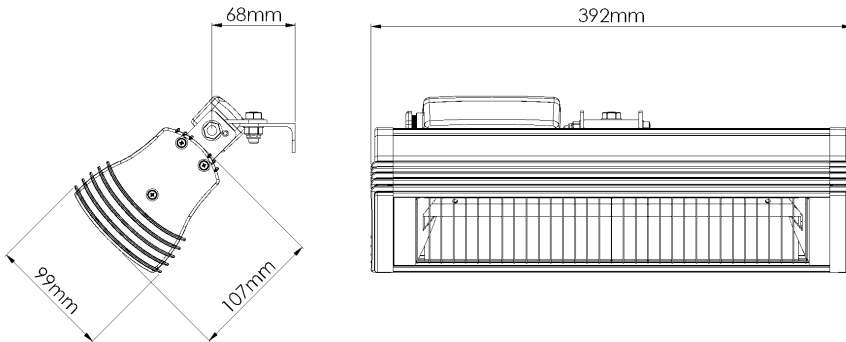




Dimensions:




Bracket Type:

Supplied as standard with a central swivel bracket and L-shaped wall bracket.

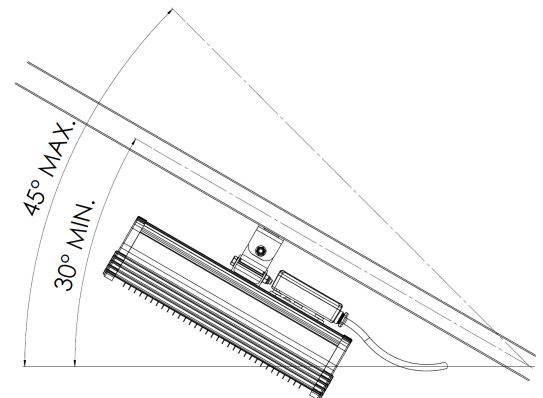


Specification:

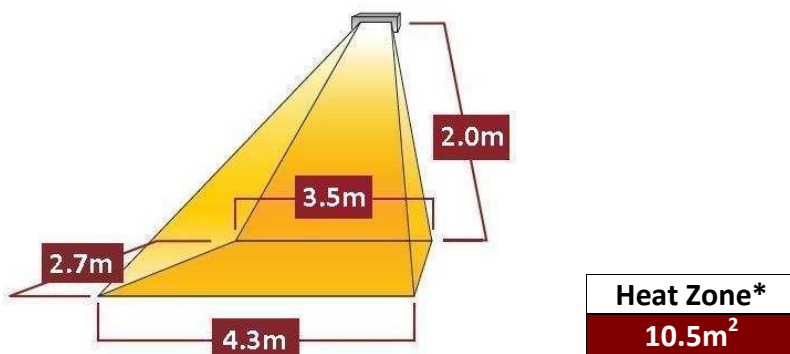
Model Type	RIO 215IP
Voltage (Volts)	230
Power (Watts)	1500
Current (Amps)	6.5
Min. mounting height from floor (m)	2.0
Min. distance from ceiling (m)	0.3
Min. dist. from side wall (m)	1.5
Dimensions W x H x D (mm)	392 x 99 x 107
Weight (kg)	2.4
Ingress Protection	IP24 
Mounting:	Horizontal wall or angled on a suitable structure
Connection:	5.0m of cord with a moulded UK or a EU Schuko plug
Package Contents:	Heater with L-shaped wall mounting bracket and an instruction manual

Angled Mounting:

The Rio IP is suitable for mounting in an angular manner so is ideal for umbrella/ parasol use.



Heat Coverage Pattern:



RIO IP PART CODES:

Colour	Part No.
Black	RIO 215IP yy BLK
Silver	RIO 215IP yy SLV
White	RIO 215IP yy WHT

yy = UK Cord with UK Plug
yy = EU Cord with EU Schuko Plug

*Heat zone will vary based on mounting height and angle of heater (overhead mounted heat zones will be different then this guide). This is a footprint of the total area covered but should be assumed that the surface temperature rise will decrease the further away from the source that is measured. Please use this as a guideline only and contact Tansun for a more detailed guide.